

Outdoor temperature transmitter with ModBus output

TTOM



Description

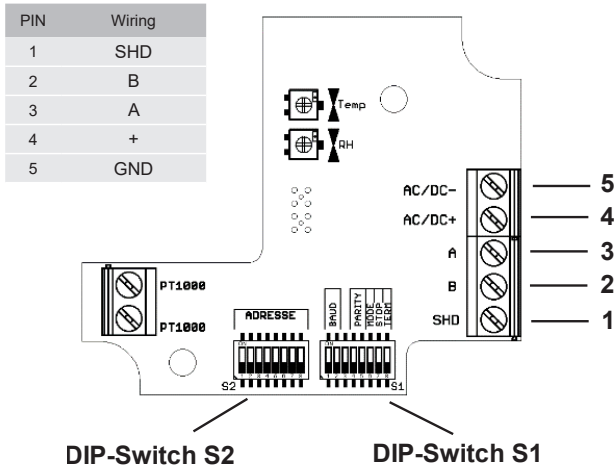
The temperature transmitter serie TTOM measures the outdoor temperature by sensor and converts the value into a Modbus output signal.

Technical specifications

Accuracy °C	±0,2°K ±1% of FS
Power supply	12...34 V AC/DC
Consumption	10...20 mA
Electrical connection	Screw terminals max. 1,5 mm ²
Housing	PA6 15% GF, RAL9010
Dimensions	See drawing
Protection type	IP65
Working range RH	0...98% RH in contaminant-free, non-condensing air
Working temperature °C	-30...+70°C
Standards	CE conformity, RoHS



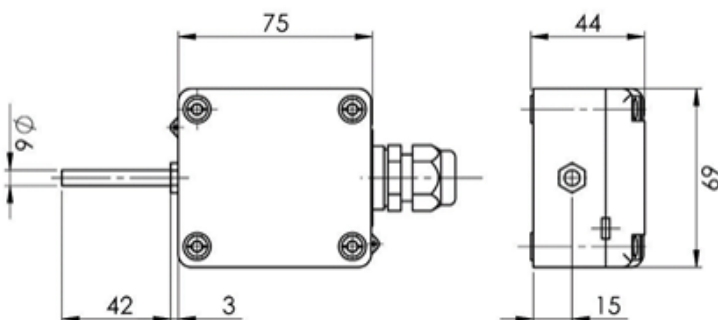
Electrical wirings



Measurement source

Unit	ModBus source	Gain
Temperature °C	50	10

Dimension (mm)



DIP Switch 1	Setting	1	2	3	4	5	6	7	8
	Baudrate								
	9600	OFF	OFF						
	19200	OFF	ON						
	38400	ON	OFF						
	57600	ON	ON						
Termination									
	nessuna								OFF
	120 Ω								ON
Parity									
	Even				OFF	OFF			
	Odd				OFF	ON			
	No parità				ON	OFF			
	No parità				ON	ON			
Modality									
	RTU							OFF	
	ASCII							ON	
Bit stop									
	1								OFF
	2								ON



