



Description

The flow switch serie FLUS is designed for controlling flow rates in pipes and ducts employed in HVAC applications from 1" up to 2". The reed contact guarantees a complete isolation between the electrical and the mechanical part.

Technical specifications

| | |
|--------------------------------|--|
| Flow rate | See schedule |
| Switching output | Reed SPST, max. 26 VA, 20 W |
| Electrical rating | 1 A, 230 VAC, 48 VDC |
| Electical connection | RVV cable 2x0,5 mm ² , 300/500V UV and weather resistant |
| Max pressure | 10 bar |
| Average pressure loss | 0,01 bar at Q max |
| Hysteresis | min. 0,7 l/min. |
| Housing | PPE, black |
| Connection | Female threaded T-fitting (besides FLUS09AW), nut brass nickeled |
| Body and lever material | Brass |
| Paddles material | Brass |
| Sealing | NBR |
| Dimensions | See drawing |
| Protection type | IP65 |
| Protection class | I |
| Max. fluid temperature | -25 ...+100°C |
| Working temperature | -25 ...+70°C |
| Installation | Horizontal or vertical, far from elbows or narrowing, with the arrow in the direction of flow. If the device is mounted downwards protect it from scale or impurities and apply it in a straight line away from the filters, valves, etc with a distance of at least 5 times the diameter of the pipe upstream and downstream of the unit. |
| Standards | CE conformity, RoHS |

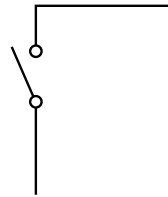


| Models | Connection | Cable m | Setting m ³ /h | Flow rate m ³ /h H ₂ O | | Max. recommended flow rate m ³ /h H ₂ O |
|-----------|------------|---------|---------------------------|--|---------------------|---|
| | | | | Increasing flow ON | Decreasing flow OFF | |
| FLUS002AW | G 3/4 | 2 | 0,3 | 0,5 | 0,3 | 4,8 |
| FLUS006AW | G 1 | 2 | 0,4 | 0,6 | 0,4 | 7,8 |
| FLUS007AW | G 1 | 1 | 0,95 | 0,78 - 0,99 | 0,74 - 0,95 | 7,8 |
| FLUS011AW | G 1 1/4 | 4 | 1,92 | 2,4 | 1,62 | 10,8 |
| FLUS010AW | G 1 1/2 | 1,5 | 1,6 | 1,62 - 2,01 | 1,53 - 1,95 | 18 |
| FLUS009AW | - | 4 | 2,76 | 2,49 - 3,21 | 2,44 - 3,17 | 21 |

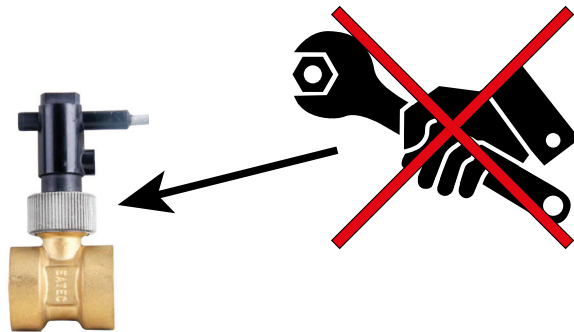
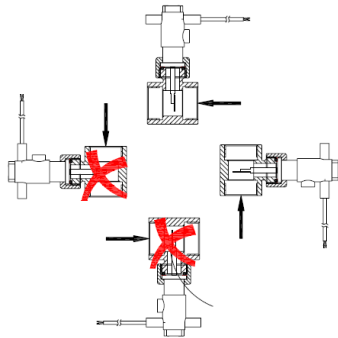
Note: The values in the table were measured by mounting the flow switch with the body horizontally.



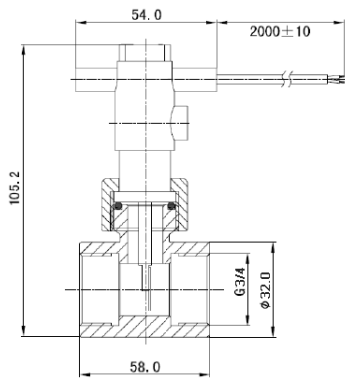
Electrical wirings



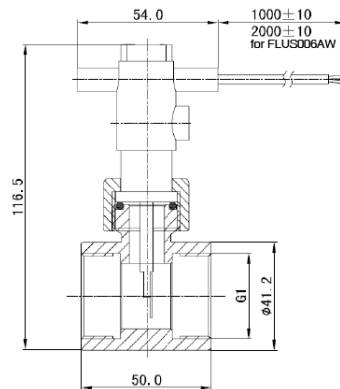
Installation



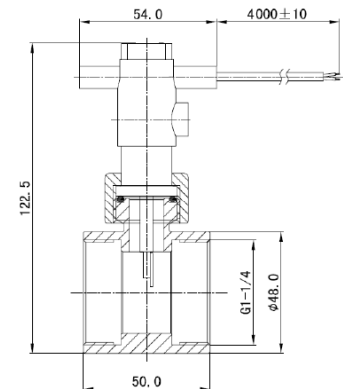
Dimensions (mm)



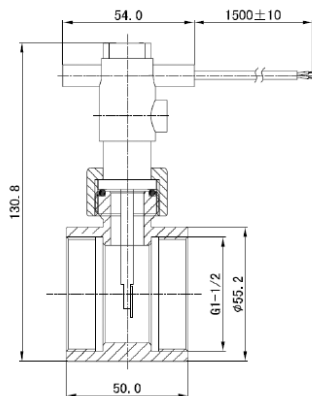
FLUS002AW



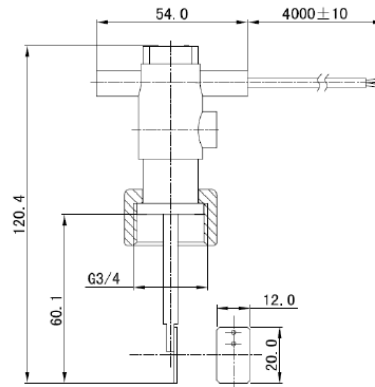
FLUS006AW / FLUS007AW



FLUS011AW



FLUS010AW



FLUS009AW