

## Butterfly valves

# VM



### Description

The VM series of butterfly valves (Wafer) are used in heating, refrigeration and air-conditioning systems for the flow control of heated or chilled water for domestic and industrial applications. The valves can be coupled with our 24 or 230 VAC modulating or 2-3 points actuators with or without auxiliary switches.

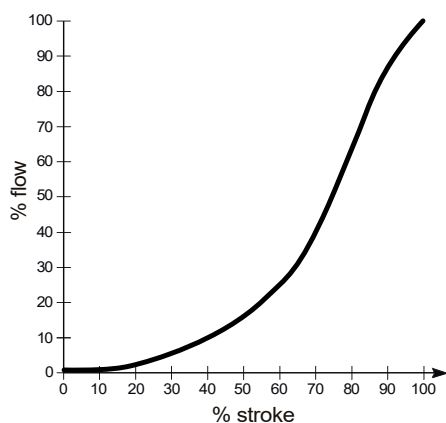
### Technical specifications

<b>Fluid</b>	Hot and cold water (with glycole max. 50%)
<b>Valve size</b>	DN40 - DN150
<b>Control flow characteristics</b>	Equal-percentage
<b>Body</b>	Aluminium ADC12
<b>Seat</b>	EPDM
<b>Shaft</b>	X30Cr13 (AISI 420)
<b>Disk</b>	Nodular iron GJS500
<b>Max working pressure</b>	PN10
<b>Maintenance</b>	free
<b>Water temperature</b>	-15...+90°C
<b>Storage temperature</b>	+20...+80°C, dry and dust-free, far from direct sunlight
<b>Standards</b>	CE-conformity, RoHS



Models	KVs	Max diff. pressure (bar)	Actuator type
VM 40	50	12	S16..
VM 50	85	10	S16..
VM 65	215	8	S16..
VM 80	420	8	S16..
VM 100	800	6	S16..
VM 125	1010	6	S24..
VM 150	2100	4	S32..

### Flow control characteristic

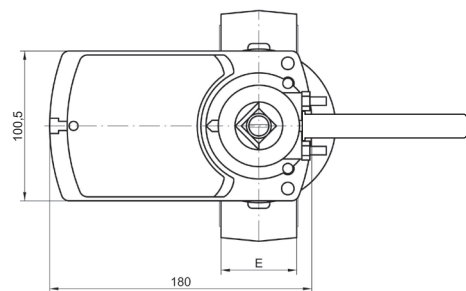
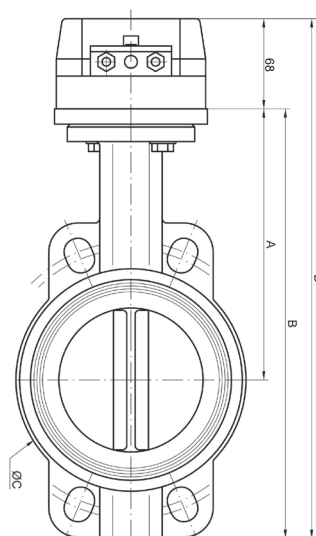


The flow characteristic of VM valves is equipercantage (see diagram).



## Dimensions (mm)

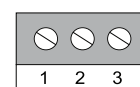
DN	A	B	C	D	E
40	151	217	83	284	33
50	166	239	104	306	43
65	172	258	121	325	46
80	170	260	132	327	46
100	187	295	154	362	52
125	205	324	189	391	56
150	217	349	218	416	56



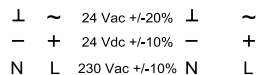
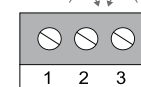
## Electrical wirings for models at 2 / 3 points

### Wiring diagram

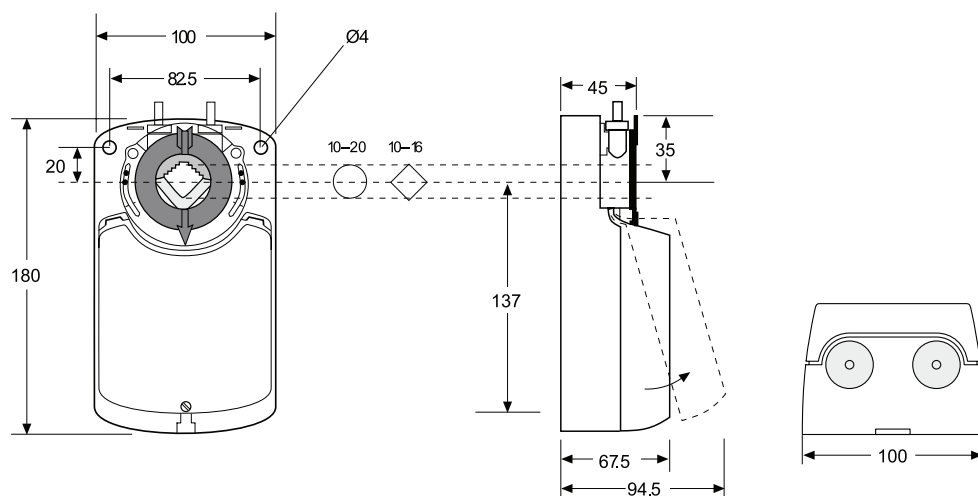
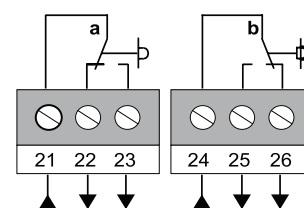
#### 2- point



#### 3- point



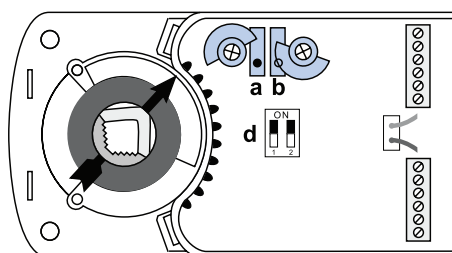
### Auxiliary switches



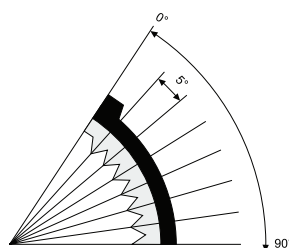
## Auxiliary switch adjustment

Factory setting:  
switch a at 10°  
switch b at 80°

The switching position can be changed manually.



## Angle of rotation limiting



## Adapter release

