

# Outdoor temperature transmitter with ModBus output

# TTOM



## Description

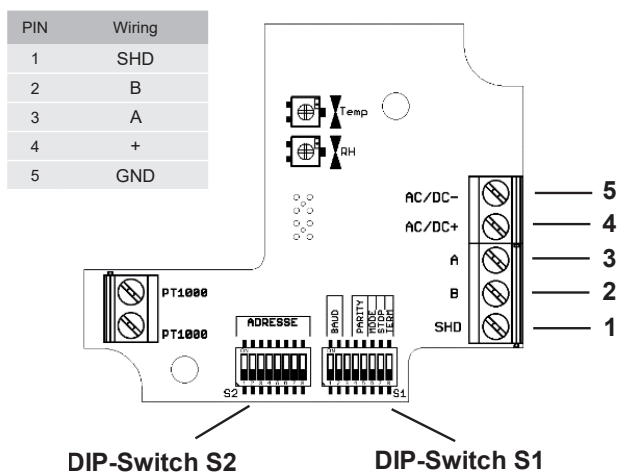
The temperature transmitter serie TTOM measures the outdoor temperature by sensor and converts the value into a ModBus output signal.

## Technical specifications

Accuracy °C	±0,2°K ±1% of FS
Power supply	12...34 V AC/DC
Consumption	10...20 mA
Electrical connection	Screw terminals max. 1,5 mm <sup>2</sup>
Housing	PA6 15% GF, RAL9010
Dimensions	See drawing
Protection type	IP65
Working range RH	0...98% RH in contaminant-free, non-condensing air
Working temperature °C	-30...+70°C
Standards	CE conformity, RoHS



## Electrical wirings



## Measurement source

Unit	ModBus source	Gain
Temperature °C	20	10

DIP Switch 1	Setting	1	2	3	4	5	6	7	8	
	<b>Baudrate</b>									
	9600	OFF	OFF							
	19200	OFF	ON							
	38400	ON	OFF							
	57600	ON	ON							
	<b>Termination</b>									
	nessuna									OFF
	120 Ω									ON
	<b>Parity</b>									
Even				OFF	OFF					
Odd				OFF	ON					
No parità				ON	OFF					
No parità				ON	ON					
<b>Modality</b>										
RTU								OFF		
ASCII								ON		
<b>Bit stop</b>										
1									OFF	
2									ON	

## Dimension (mm)

