

Outdoor temperature transmitter

TTO



Description

The temperature transmitter serie TTO measures the outdoor temperature by sensor and converts the value into a linear output signal 0...10 VDC o 4...20 mA.

Technical specifications

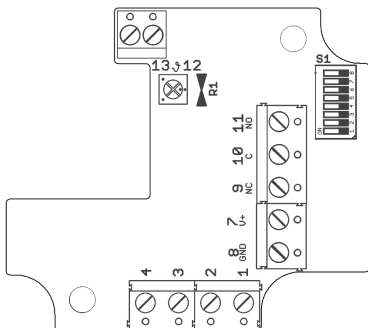
Measurement range °C	See configurator
Accuracy °C	±0,2°C + max 3% of FS
Power supply	12...34 VAC/DC
Working resistance at 0...10 V DC	10...100 kOhm
Working resistance at 4...20 mA	50...500 Ohm
Consumption	24...44 mA
Electrical connection	Screw terminals max. 1,5 mm ²
Housing	PA6 15% GF, RAL9010
Dimensions	See drawing
Protection type	IP65
Protection class	III
Working range RH	0...98% RH in contaminant-free, non-condensing air
Working temperature °C	-30...+70°C
Standards	CE conformity, RoHS



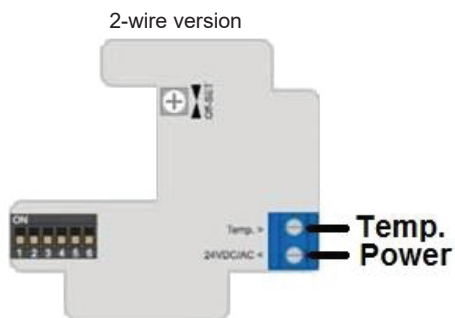
Models	Temp. output	Version
TTOC*	4...20 mA	
TTOCD	4...20 mA	with display
TTOV	0...10 V DC	
TTOVD	0...10 V DC	with display

* available 2-wire version

Electrical wirings



Output 0...10 V		Output 4...20 mA	
PIN	Assignment	PIN	Assignment
1	Temp.	1	-
2	-	2	-
3	-	3	Temp.
4	-	4	-
7	+	7	+
8	GND	8	GND



Important: connections in parallel with 24 VAC to consider the phase to prevent short circuits. The device is designed to operate in a low voltage condition.

Setting

Temperature range selection	Range	1	2	3	4	5	6	7	8	Temperature range selection	Range	1	2	3	4	5	6	7	8
	-100...+50°C	OFF	OFF	OFF	OFF	OFF	OFF	-	-		-	-10...+120°C	OFF	OFF	ON	ON	OFF	-	-
-50...0°C	ON	OFF	OFF	OFF	OFF	OFF	-	-	-	0...+40°C	ON	OFF	ON	ON	OFF	-	-	-	-
-50...50°C	OFF	ON	OFF	OFF	OFF	OFF	-	-	-	0...+50°C	OFF	ON	ON	ON	OFF	-	-	-	-
-50...+150°C	ON	ON	OFF	OFF	OFF	OFF	-	-	-	0...+70°C	ON	ON	ON	ON	OFF	-	-	-	-
-30...+20°C	OFF	OFF	ON	OFF	OFF	OFF	-	-	-	0...+100°C	OFF	OFF	OFF	OFF	ON	-	-	-	-
-30...+60°C	ON	OFF	ON	OFF	OFF	OFF	-	-	-	0...+150°C	ON	OFF	OFF	OFF	ON	-	-	-	-
-30...+70°C	OFF	ON	ON	OFF	OFF	OFF	-	-	-	0...+160°C	OFF	ON	OFF	OFF	ON	-	-	-	-
-20...+50°C	ON	ON	ON	OFF	OFF	OFF	-	-	-	0...+200°C	ON	ON	OFF	OFF	ON	-	-	-	-
-20...+80°C	OFF	OFF	OFF	ON	OFF	OFF	-	-	-	0...+250°C	OFF	OFF	ON	OFF	ON	-	-	-	-
-20...+120°C	ON	OFF	OFF	ON	OFF	OFF	-	-	-	0...+400°C	ON	OFF	ON	OFF	ON	-	-	-	-
-20...+150°C	OFF	ON	OFF	ON	OFF	OFF	-	-	-	0...+600°C	OFF	ON	ON	OFF	ON	-	-	-	-
-10...+15°C	ON	ON	OFF	ON	OFF	OFF	-	-	-	+10...+35°C	ON	ON	ON	OFF	ON	-	-	-	-

Dimensions (mm)

