

## Duct and screw-in temperature transmitter

# TTD / TTS



### Description

The temperature transmitter serie TTD/TTS measures the duct or screw-in temperature by sensor and converts the value into a linear output signal 0...10 V DC o 4...20 mA.

### Technical specifications

<b>Measurement range °C</b>	See configurator
<b>Accuracy °C</b>	±0,2°C + max 3% of FS
<b>Power supply</b>	12...34 V AC/DC
<b>Working resistance at 0...10 V DC</b>	10...100 kOhm
<b>Working resistance at 4...20 mA</b>	50...500 Ohm
<b>Consumption</b>	24...44 mA
<b>Electrical connection</b>	Screw terminals max. 1,5 mm <sup>2</sup>
<b>Housing</b>	PA6 15% GF, RAL9010
<b>Dimensions</b>	See drawing
<b>Protection type</b>	IP65
<b>Protection class</b>	III
<b>Working range RH</b>	0...98% RH in contaminant-free, non-condensing air
<b>Working temperature °C</b>	-30...+70°C
<b>Standards</b>	CE conformity, RoHS

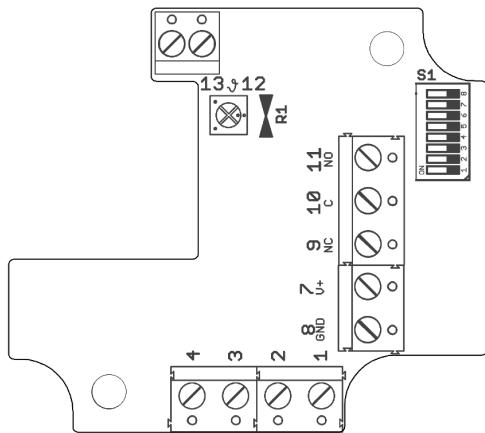


Models	Temp. output	Version	Display
TTDC	4...20 mA	Duct	
TTDCD	4...20 mA	Duct	with display
TTDV	0...10 V DC	Duct	
TTDVD	0...10 V DC	Duct	with display
TTSC	4...20 mA	Screw-in	
TTSCD	4...20 mA	Screw-in	with display
TTSV	0...10 V DC	Screw-in	
TTSVD	0...10 V DC	Screw-in	with display

# TTD / TTS



## Electrical wirings



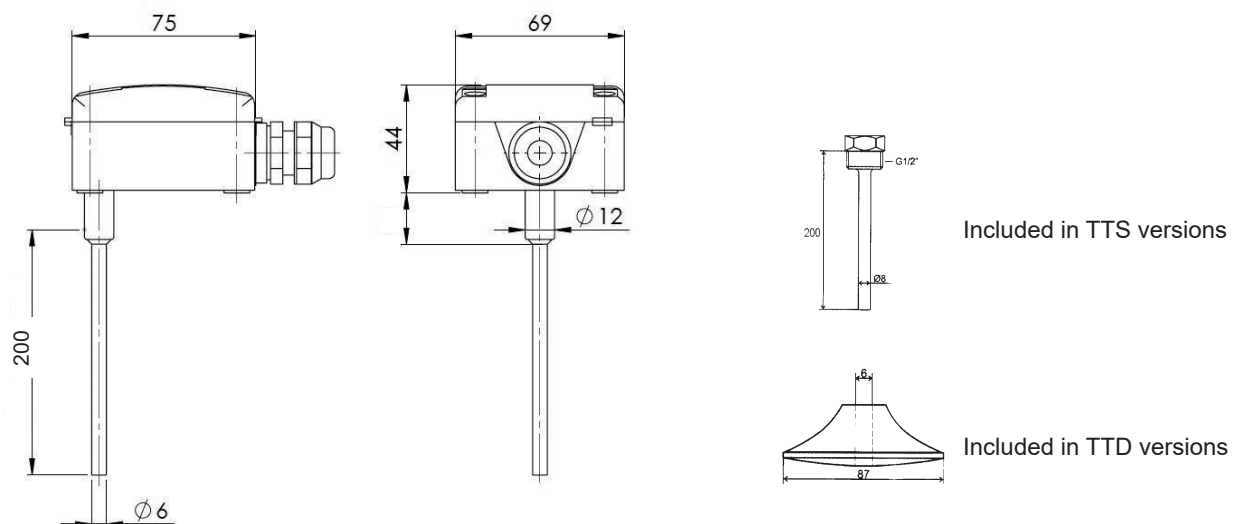
Output 0...10 V		Output 4...20 mA	
PIN	Assignment	PIN	Assignment
1	Temp.	1	-
2	-	2	-
3	-	3	Temp.
4	-	4	-
7	+	7	+
8	GND	8	GND

Important: connections in parallel with 24 VAC to consider the phase to prevent short circuits. The device is designed to operate in a low voltage condition.

## Setting

	Range	1	2	3	4	5	6	7	8
Temperature range selection	-100...+50°C	OFF	OFF	OFF	OFF	OFF	-	-	-
	-50...0°C	ON	OFF	OFF	OFF	OFF	-	-	-
	-50...50°C	OFF	ON	OFF	OFF	OFF	-	-	-
	-50...+150°C	ON	ON	OFF	OFF	OFF	-	-	-
	-30...+20°C	OFF	OFF	ON	OFF	OFF	-	-	-
	-30...+60°C	ON	OFF	ON	OFF	OFF	-	-	-
	-30...+70°C	OFF	ON	ON	OFF	OFF	-	-	-
	-20...+50°C	ON	ON	ON	OFF	OFF	-	-	-
	-20...+80°C	OFF	OFF	OFF	ON	OFF	-	-	-
	-20...+120°C	ON	OFF	OFF	ON	OFF	-	-	-
	-20...+150°C	OFF	ON	OFF	ON	OFF	-	-	-
-10...+15°C	ON	ON	OFF	ON	OFF	-	-	-	
Temperature range selection	-10...+120°C	OFF	OFF	ON	ON	OFF	-	-	-
	0...+40°C	ON	OFF	ON	ON	OFF	-	-	-
	0...+50°C	OFF	ON	ON	ON	OFF	-	-	-
	0...+70°C	ON	ON	ON	ON	OFF	-	-	-
	0...+100°C	OFF	OFF	OFF	OFF	ON	-	-	-
	0...+150°C	ON	OFF	OFF	OFF	ON	-	-	-
	0...+160°C	OFF	ON	OFF	OFF	ON	-	-	-
	0...+200°C	ON	ON	OFF	OFF	ON	-	-	-
	0...+250°C	OFF	OFF	ON	OFF	ON	-	-	-
	0...+400°C	ON	OFF	ON	OFF	ON	-	-	-
	0...+600°C	OFF	ON	ON	OFF	ON	-	-	-
+10...+35°C	ON	ON	ON	OFF	ON	-	-	-	

## Dimensions (mm)



The contents are subject to revision or change without notice.