

## Duct and screw-in temperature transmitter

# TTDM / TTSM

### Description

The temperature transmitter serie TTDM/TTSM measures the duct or screw-in temperature by sensor and converts the value into a Modbus 485 signal.

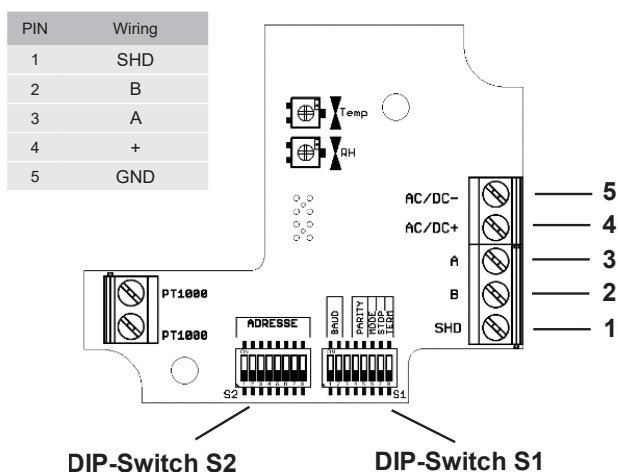
### Technical specifications

<b>Accuracy °C</b>	±0,2°C + max 3% of FS
<b>Power supply</b>	12...34 V AC/DC
<b>Consumption</b>	10...20 mA
<b>Electrical connection</b>	Screw terminals max. 1,5 mm <sup>2</sup>
<b>Housing</b>	PA6 15% GF, RAL9010
<b>Dimensions</b>	See drawing
<b>Protection type</b>	IP65
<b>Protection class</b>	III
<b>Working range RH</b>	0...98% RH in contaminant-free, non-condensing air
<b>Working temperature °C</b>	-30...+70°C
<b>Standards</b>	CE conformity, RoHS



Models	Version
TTDM	Duct
TTSM	Screw-in

### Electrical wirings



### Measurement source

Unit	ModBus source	Gain
Temperature °C	20	10

DIP Switch 1	Setting	1	2	3	4	5	6	7	8	
	<b>Baudrate</b>									
	9600	OFF	OFF							
	19200	OFF	ON							
	38400	ON	OFF							
	57600	ON	ON							
	<b>Termination</b>									
	nessuna									OFF
	120 Ω									ON
	<b>Parity</b>									
Even				OFF	OFF					
Odd				OFF	ON					
No parità				ON	OFF					
No parità				ON	ON					
<b>Modality</b>										
RTU								OFF		
ASCII								ON		
<b>Bit stop</b>										
1									OFF	
2									ON	

