

Air quality duct sensor with ModBus output

SDVM



Description

The SDVM sensor measures air quality in air ducts in the range between 450...2000 ppm. The product can be provided with humidity or humidity/temperature sensor. ModBus 485 output.

Technical specifications

Measurement range VOC	450...2000 ppm
Accuracy temperature	±0,3°C (5...60°C) + 1% FS
Accuracy humidity	±2% RH (20...80%RH) + 2% FS
Power supply	12...34 V AC/DC
Power consumption	40...100 mA
Electrical connection	Screw terminal for cables 1,5 mm ²
Protection type	IP65
Working range RH	0...98% RH in contaminant-free, non-condensing air
Working temperature °C	0...+50°C
Installation	Mounting flange (included)
Standards	CE conformity, RoHS

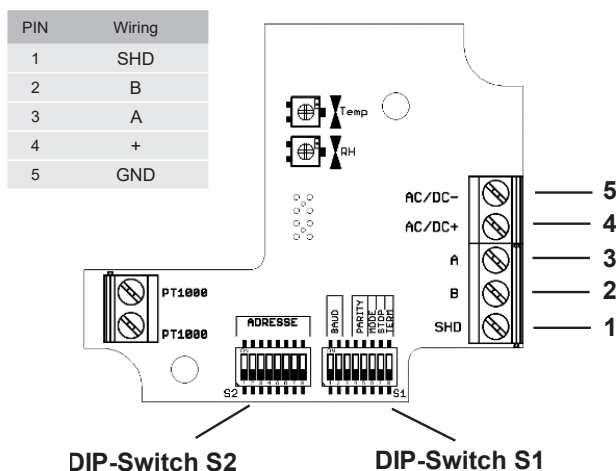


Models	Temperature	Humidity
SDVM	-	-
SDVTM	•	-
SDVTHM	•	•

Measurement source

Unit	ModBus source	Gain
Temperature °C	20	10
Relative humidity %u.r.	21	10
Absolute humidity g/m ³	22	10
Dewpoint °C	23	10
Enthalpy J	24	10
ppm VOC	30	10

Electrical wirings



Setting	1	2	3	4	5	6	7	8
Baudrate								
9600	OFF	OFF						
19200	OFF	ON						
38400	ON	OFF						
57600	ON	ON						
Termination								
nessuna								OFF
120 Ω								ON
Parity								
Even				OFF	OFF			
Odd				OFF	ON			
No parità				ON	OFF			
No parità				ON	ON			
Modality								
RTU							OFF	
ASCII							ON	
Bit stop								
1								OFF
2								ON

