



Description

The light sensor detects the light intensity and converts the value into a linear analogue signal with 4 selectable ranges. Available relay output.

Technical specifications

Measurement range	4 selectable ranges by dip-switch
Accuracy	±10%
Power supply	16...36 V DC / 24 V AC
Output	See schedule (min. load resistance 10k Ohm)
Relay capacity	60 VDC, 1A
Electrical connection	Screw terminals for cable max. 1,5 mm ²
Dimensions	See drawing
Protection	IP20
Working range RH	0...98% RH in contaminant-free, non-condensing air
Working temperature °C	-30...+70°C
Standards	CE conformity, RoHS, EN61326-1 2006

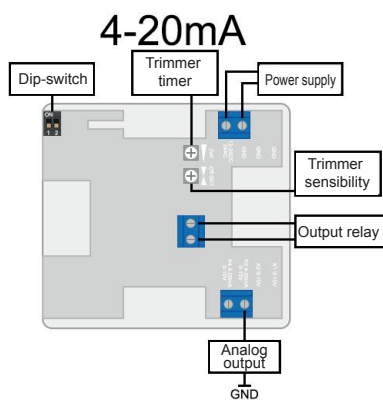
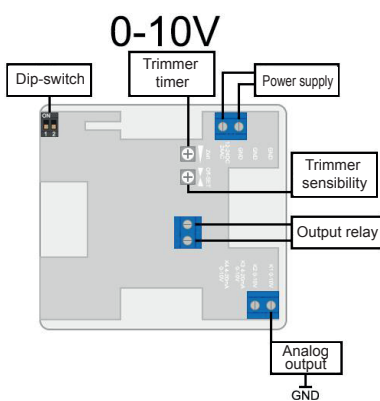


Dip-switch settings

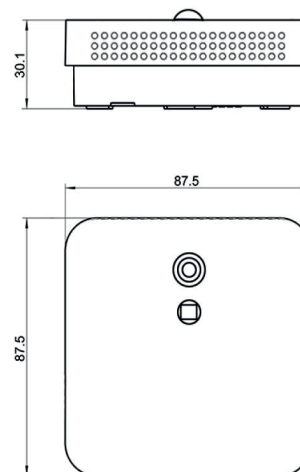
Models	Output
LUXR	relay
LUXV	0...10 V DC
LUXC	4...20 mA
LUXRV	relay / 0...10 V DC
LUXRC	relay / 4...20 mA



Electrical wirings



Dimensions



The contents are subject to revision or change without notice.