



## ■ Description

The RTA34 thermostat, in its various versions, is suitable for application in heating, air conditioning and refrigeration systems.

The RTA34 can be configured with the following temperature ranges:

- +5...+35°C
- 10...+20°C
- 35...+5°C
- +35...+65°C

The choice of temperature range must be made at startup by acting on the dip switches.

Then place the label, with the chosen temperature scale, on the front of the housing.



## ■ Technical specifications

<b>Power supply</b>	24 VAC/DC, 50/60 Hz
<b>Relay output with switch contact</b>	max 16 (6) A, 230 VAC
<b>Adjusting action</b>	ON-OFF
<b>Adjustable differential</b>	1-8 K
<b>Control output</b>	ON-OFF
<b>Temperature probe connection</b>	NTC10K
<b>Screw clamps for cables with maximum cross-sectional area</b>	2,5 mm <sup>2</sup>
<b>Working temperature °C</b>	0...50°C
<b>Working range RH</b>	<80% RH
<b>Storage temperature</b>	-20...+70°C <80% RH
<b>Protection type</b>	IP40
<b>Rail mounting</b>	DIN
<b>Standards</b>	CE conformity, RoHS

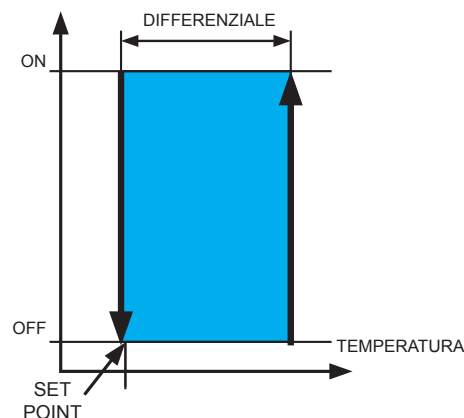
## ■ Functioning

The RTA34 thermostat provides temperature control with ON-OFF action with a differential set by dip switches.

### Cooling action

The RTA34 thermostat is equipped with a relay with a switching contact. The relay is energized when the temperature detected by the NTC probe exceeds the temperature value set on the knob plus the value of the differential. The contact between terminals C-NO is closed.

When the temperature drops to the set value (set point), the relay de-energizes, opens the contact between the C-NO terminals, and closes the contact between the C-NC terminals.



# RTA34



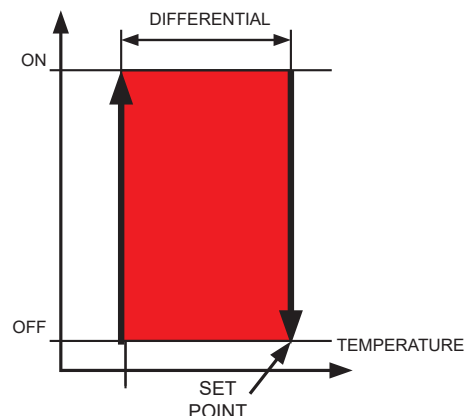
## Heating action

For operation with heating action, dip switch 6 must be set to OFF.

The relay is energized when the temperature detected by the NTC probe falls below the temperature value set on the knob minus the value of the differential.

The contact between terminals C-NO is closed.

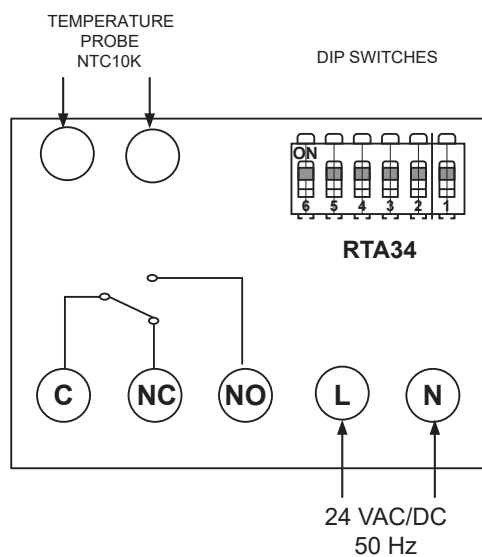
When the temperature drops to the set value (set point), the relay de-energizes, opens the contact between the C-NO terminals and closes the contact between the C-NC terminals.



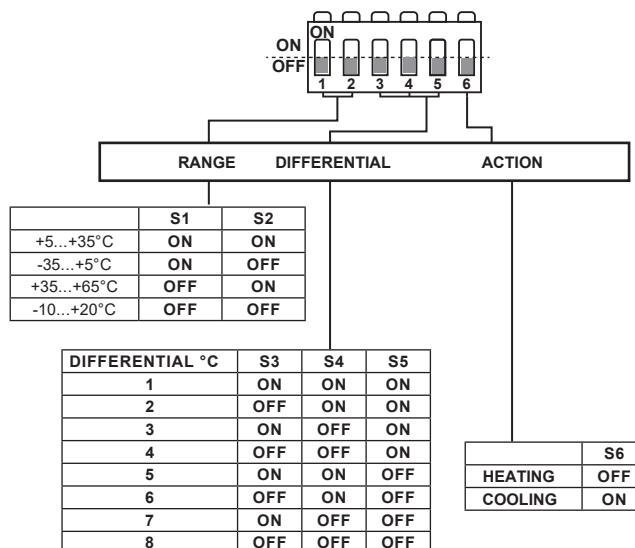
## Electrical wirings

The above connections refer to cooling operation. For heating operation, dip switch 6 must be set to OFF.

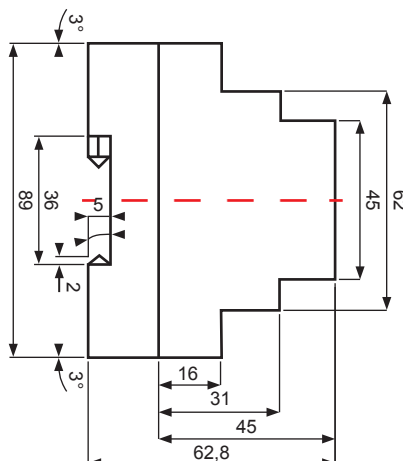
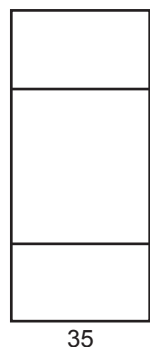
In the factory configuration, the dip switches are set to OFF.



## Setting DIP switches



## Dimensions (mm)



I contenuti sono soggetti a revisioni o modifiche senza obbligo di preavviso