



Description

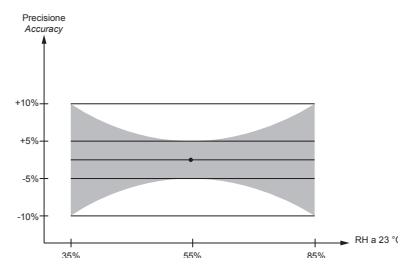
The room humidistat HR1 is controlling the relative humidity in domestic, commercial or industrial applications and can drive fans, humidifiers or dehumidifiers bringing the moisture level of the value set on his knob. The modern and elegant housing to complement any type of interior design.

Technical specifications

Sensible element	Stabilised synthetic textile tape
Wiring terminals	Screw terminals for wires up to 1,5 mm ²
Electrical rating	max 5 (3) A, 250 V AC min 100 mA, 24 V AC
Working range	30...90% RH
Differential	6% RH
Accuracy	±5% RH*
Long term stability	approx. -1,5% RH/year
Working temperature	0...40 °C
Storage temperature	-25...40 °C
Materials	Housing of flame-retardant thermoplastic
Protection type	IP20
Protection class	II
Action	Type 1C. According EN 60730
Pollution degree	2. According EN 60730
Rated impulse voltage	4000V According EN 60730
Temperature for the ball pressure test:	100°C. According EN 60730

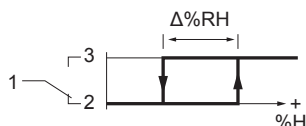


(*) The setting accuracy of the humidistat at the calibration point is ± 5% rh at 55% rh, 23°C after initial calibration at the factory. Setting accuracy see diagram "Setting accuracy". In general, humidity sensors (humidistats) are subject to increased ageing if they are used and/or stored in very contaminated air or aggressive gases. Under these conditions, the humidistat may drift prematurely and alter the linearity.

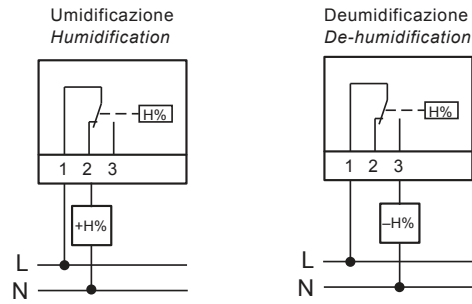


Operation

When the relative humidity rises and reaches the upper switching point, contacts 1-2 open and 1-3 close. The setpoint XS corresponds to the upper switching point. The contacts revert to their original position when the humidity has fallen below the upper switching point by the amount of the fixed switching difference (Δ) of 6% RH.



Electrical wirings



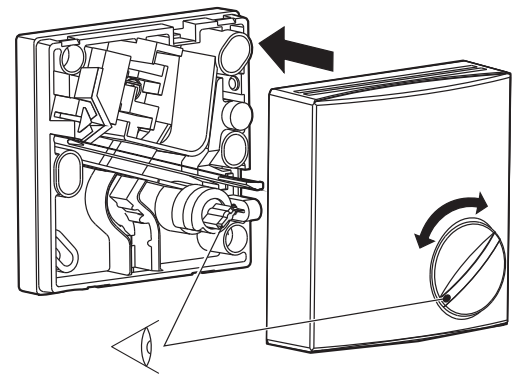
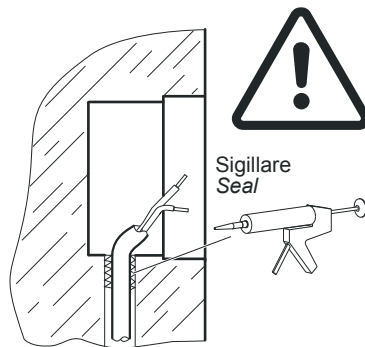
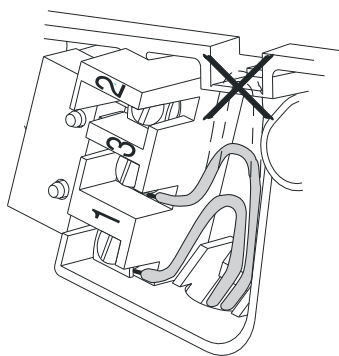
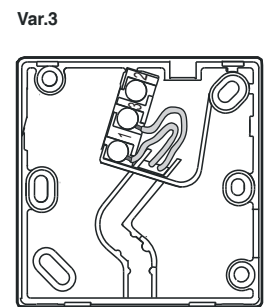
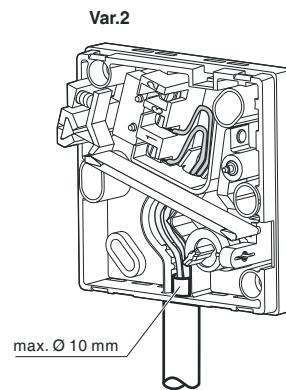
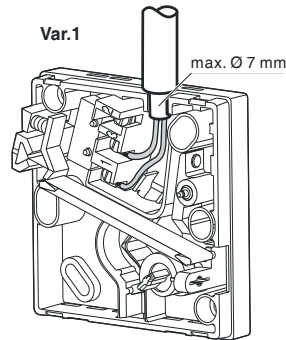
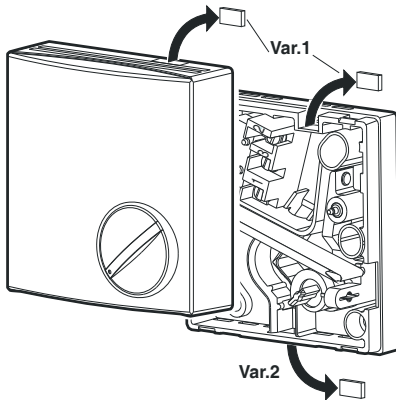
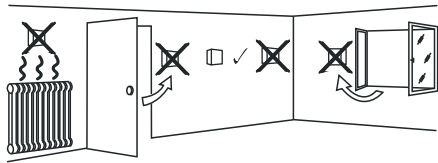
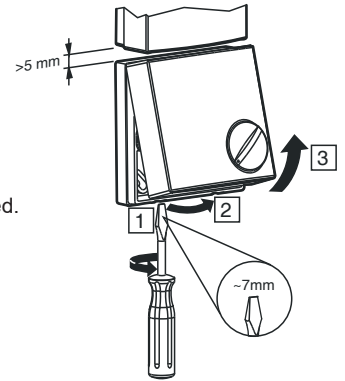
Installation

⚠ DANGER

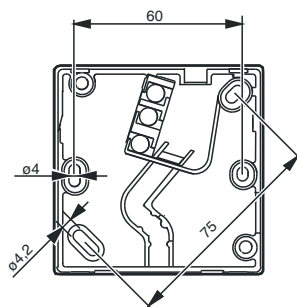
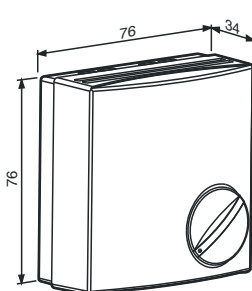
Electrical connection

Danger of electrocution! The removal of this cover exposes parts which carry mains voltage.

- The unit should be opened only by a qualified electrician or by the manufacturer's service personnel.
- Before starting any work on the electrical connections, separate the unit from the mains power supply.
- Do not apply power to the unit until it has been completely re-assembled and the housing has been closed.
- To prevent access by unqualified persons and, in particular, children, do not leave the opened unit unattended.



Dimensions



The contents are subject to revision or change without notice.