

Damper actuator with electronic fail-safe function

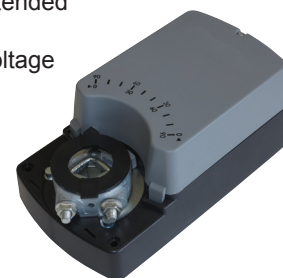
SS



Description

Rotary damper actuators with Electronic Fail-Safe® (EFS®) function are designed and produced for extended functionalities in HVAC systems and opens up new perspectives in system protection.

Electronic Fail-Safe is able to manage short voltage interruptions for max. 4 seconds. In case of longer voltage interruption they will move the dampers or valves if necessary to a predefined emergency position (EFS).



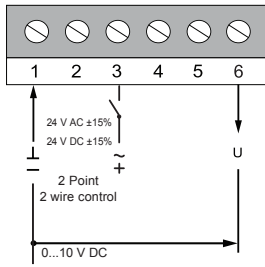
Technical features

Actuator model		SS..A	SS..AM
Nominal torque	Nm	8, 16, 24	
Power supply	V	24 AC/DC	
Frequency	Hz	50/60	
Control signal		2 point	0(2)...10 V 0(4)...20 mA
Power consumption			
- Operating	W	2,5	
- End position	W	0,4	
- for wire sizing	VA	5	
Sound power level	db (A)	42	
Auxiliary switch rating		3 (1,5) A, 230 V AC	
Life cycle		100.000	
Angle of rotation			
- Operating		0...90°	
- Limitation		5-85° (steps of 5°)	
Protection class		III	
Protection degree		IP54	
Working range °C		-30...+50° C	
Working range RH		5...95% RH, non-condensating	
Storage temperature		-40...+80° C	
Maintenance		free	
Weight	kg	1,2 - 1,4	
Standards		CE-conformity, RoHs	
Option		suffix S for models with 2 SPDT auxiliary switches	

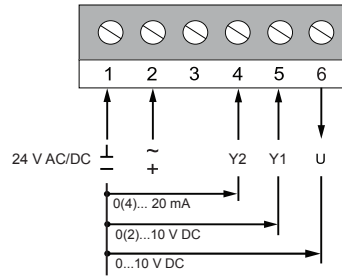
Model	Torque (Nm)	Damper size m ²	Running time (sec)	Charging time commissioning (sec)
SS8..	8	1,5	50	30
SS16..	16	3	120	45
SS24..	24	4,5	180	85

Electrical wiring

24 V AC/DC ON/OFF
230 V AC ON/OFF



24 V AC/DC Modulating



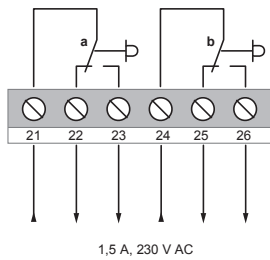
Control signal specification

Signal Y1
0(2)...10 V DC
Input resistance
Ri 100Ω

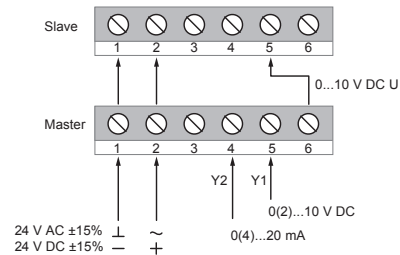
Signal Y2
0(4)...20 mA
Input resistance
Ri 500Ω

Position U
0...10 V DC
Load resistance
Ri >50Ω

Auxiliary switches



Parallel connection 24 V AC/DC
max 5 actuators possible

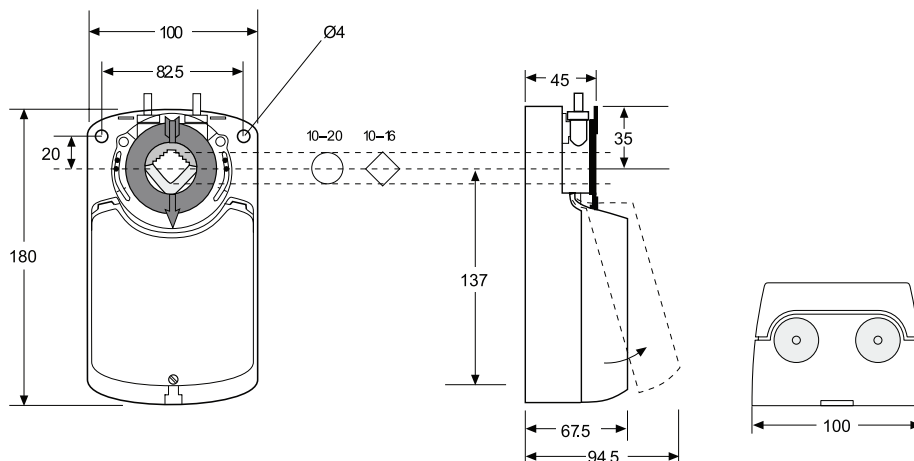


Setting

	<p>1 ON – EFS ON OFF – EFS OFF SAFETY FUNCTION FUNZIONE DI SICUREZZA</p>
	<p>2 ON – EFS OFF – EFS DIRECTION OF SAFETY FUNCTION DIREZIONE DELLA FUNZIONE DI SICUREZZA</p>
	<p>3 ON 2 - 10V 4 - 20mA OFF 0 - 10V 0 - 20mA CONTROL SIGNAL SEGNALE DI INGRESSO</p>
	<p>4 ON – CCW OFF – CW STANDARD RUNNING SENSO DI ROTAZIONE</p>

<p>MODALITA' DI CARICO/LOADING MODE MODALITA' DI SCARICA/POWER OFF MODE</p> <p>100% ENERGY ↓ ↑ READY CARICO</p> <p>50% ENERGY ↓ ↑ GET READY IN CARICA</p> <p>0% ENERGY ↓ ↑ POWER ON ACCESO</p> <p>SCARICO /UNLOADING POWER OFF IN CARICA /LOADING POWER ON</p>	<p>FUNZIONAMENTO STANDARD STANDARD RUNNING</p> <p> x2 CW x3 CCW</p> <p> x1 0-10V 0-20 mA x2 2-10V 4-20 mA OFF ON - OFF VERSION OF ACTUATOR/ ATTUATORE VERSIONE ON-OFF</p> <p> ON – EFS – ON OFF – EFS – OFF</p>
--	--

Dimensions



The contents are subject to revision or change without notice.