

## Spring-return damper actuator, 2,5 Nm

# SR2

### Description

Damper actuator serie SR2 to operate and position air dampers in HVAC systems.

- For air dampers up to approx. 0,5 m<sup>2</sup>
- Nominal voltage 24 Vac/dc and 230 Vac
- Control: 2-point, on-off and proportional
- Characteristics: universal spindle clamp for easy direct mounting, shaft dimensions max Ø 12 mm, □ 8x8mm minimum shaft length 80 mm, anti-rotation bracket provided for stability, selectable direction of rotation, adjustable angle of rotation, 1 m cable connection.

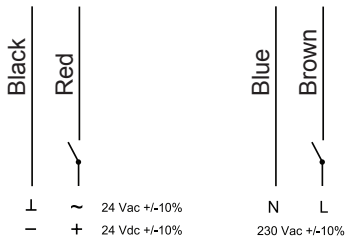


### Technical features

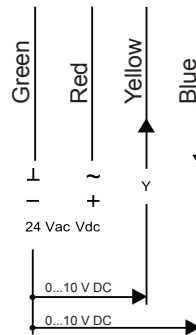
Actuator model		SR2A	SR2AM	SR2B
Damper area	m <sup>2</sup>		0,5	
Nominal torque	Nm		2,5	
Power supply	V	24 AC/DC	24 AC/DC	230 AC
Frequency	Hz		50/60	
Power consumption				
- in operation	W	2,5	2,5	2,5
- at rest	W		1,6	
Running time for motor	s		60 / 70	
Running time for spring	s		25 / 30	
Sound power level	db (A)		circa 50	
Control signal		2 point, on-off	0...10 V DC	2 point, on-off
Auxiliary switch rating			3 (1,5) A, AC 230 V	
Life Cycle	cycles		70.000	
Rotation angle				
- operating			90° (95° mechanical)	
- limitation			5-85° (steps of 5°)	
Protection class		III	III	II
Protection degree			IP54	
Working range °C			-20...+50° C	
Working range RH			5...95% RH, non-condensating	
Storage temperature			-40...+70° C	
Maintenance			free	
Weight	g		1000	
Standards			CE-conformity, RoHs	
Option		suffix S for models with 2 SPDT auxiliary switches		

## Electrical wirings

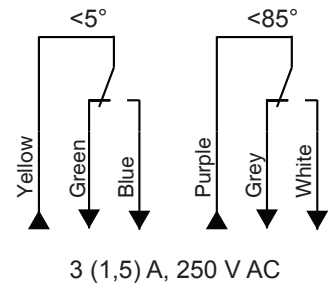
Wiring diagram On/Off



Wiring diagram proportional

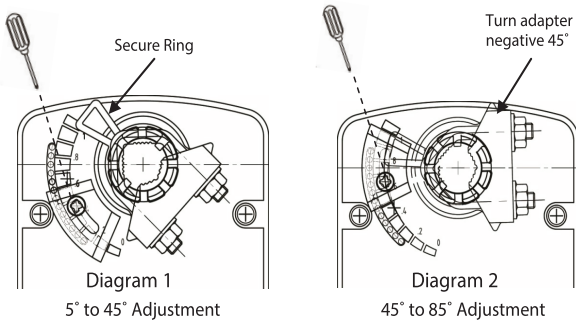


Auxiliary switches



## Settings

Limitation of rotation angle from 5° to 85°



For 5° to 45° (diagram 1)

1. Loosen screw of the mechanical limiter plate.
2. Move the limiter plate to the appropriate position.
3. Tighten the screw.

For 45° to 85° (diagram 2)

1. Release the secure ring of the adapter.
2. Remove the adapter and turn negative 45° as shown.
3. Insert adapter and secure the adapter ring.
4. Loosen screw of the mechanical limiter plate.
5. Move the limiter plate to the appropriate position.
6. Tighten the screw.

## Dimensions (mm)

