

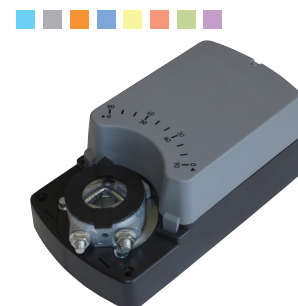
Damper actuators, 8 Nm

S8

Description

Damper actuator serie S8 to operate and position air dampers in HVAC systems.

- For air dampers up to approx. 1,5 m²
- Nominal voltage 24 Vac/dc and 100...240 Vac
- Control: Open-close or 3-point and proportional
- Characteristics: universal spindle clamp for easy direct mounting, shaft dimensions Ø 10 to 20 mm round / □ 10 to 16 mm square, minimum shaft length 50 mm, anti-rotation bracket provided for stability, manual over ride by push button, selectable direction of rotation, adjustable angle of rotation, parallel connection up to 10 actuators.

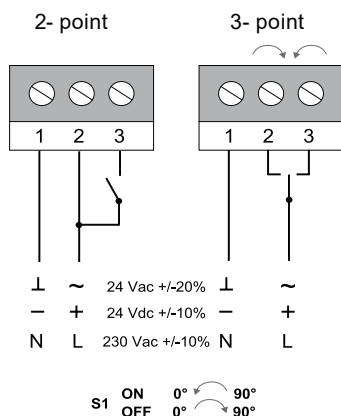


Technical features

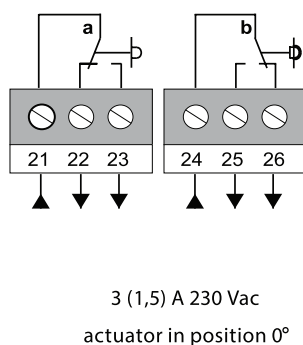
Actuator model		S8A	S8B	S8AM	S8BM
Damper area	m ²		1,5		
Nominal torque	Nm		8		
Power supply	V	24 AC/DC	100...240 AC	24 AC/DC	100...240 AC
Frequency	Hz		50/60		
Power consumption					
- in operation	W		4.5		
- at rest	W	0.5	0.7	0.5	0.7
- for wire sizing	VA		7.0		
Running time	s	<55	<55	<50	<50
Sound power level	max. db (A)		45		
Control signal		2-3 point	2-3 point	0(2)...10 V DC 0(4)...20 mA	0(2)...10 V DC 0(4)...20 mA
Auxiliary switch rating			3 (1.5) A, 230 V AC		
Life Cycle	cicli		60.000		
Rotation angle					
- operating			0-90°		
- limitation			5-85° (steps of 5°)		
Protection class		III	II	III	II
Protection degree			IP54		
Working range °C			-20...+70° C		
Working range RH			5...95% RH, non-condensating		
Storage temperature			-40...+80° C		
Maintenance			free		
Weight	g		<1300		
Standards			CE-conformity, RoHs		
Option			suffix S for models with 2 SPDT auxiliary switches		

Electrical wirings for models at 2 / 3 points

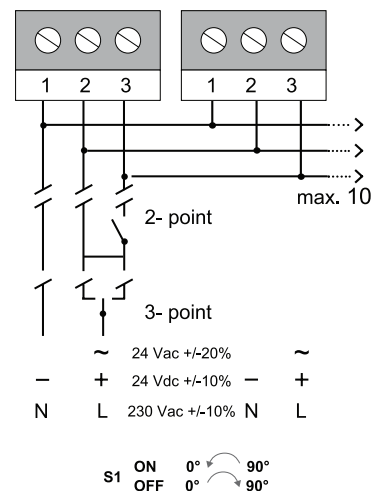
Wiring diagram



Auxiliary switches

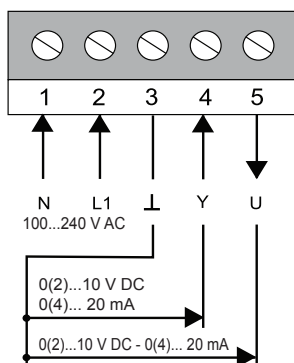


Parallel connections

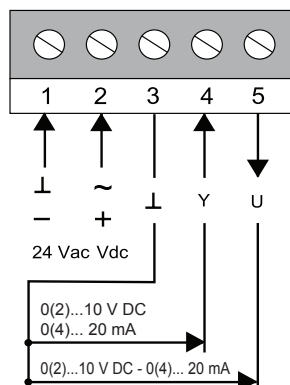


Electrical wirings for proportional models

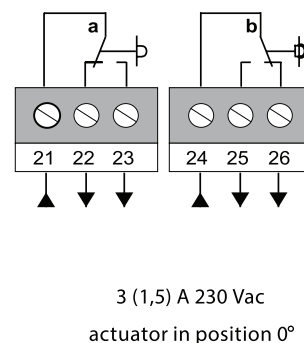
Wiring diagram 230 V AC



Wiring diagram 24 V AC



Auxiliary switches



Settings

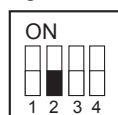
Setting DIP

DIP 1
 Feedback signal



OFF: 0(2)...10 V
 ON: 0(4)...20 mA

DIP 2
 Input signal starting point



OFF: 0...10 V o 0...20 mA
 ON: 2...10 V o 4...20 mA

DIP 3
 Input signal



OFF: 0(2)...10 V
 ON: 0(4)...20 mA

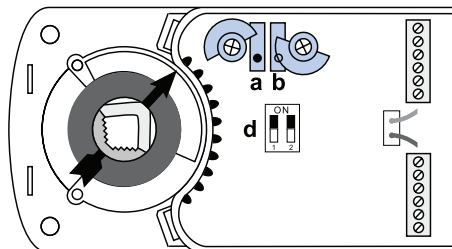
DIP 4
 Rotation direction



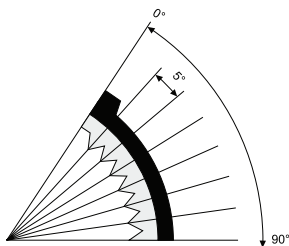
OFF: With the increase of the signal,
 the actuator rotate counterclockwise
 ON: With the increase of the signal,
 the actuator rotate clockwise

Auxiliary switch adjustment

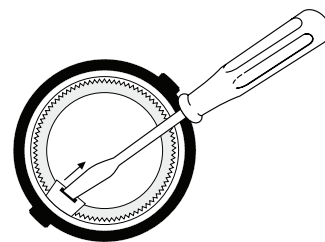
Factory setting:
 switch a at 10°
 switch b at 80°
 The switching position can
 be changed manually.



Angle of rotation limiting



Adapter release



Dimensions (mm)

