



Description

The flow switch serie FLUS is designed for controlling flow rates in pipes and ducts employed in HVAC applications from 1" up to 2". The reed contact guarantees a complete isolation between the electrical and the mechanical part.

Technical specifications

Flow rate	See schedule
Switching output	Reed SPST, max. 26 VA, 20 W
Electrial rating	1 A, 230 V AC, 48 V DC
Electical connection	RVV cable 2x0,5 mm ² , 300/500V UV and weather resistant
Max pressure	10 bar
Average pressure loss	0.01 bar at Q max
Hysteresis	min. 0.7 l/min.
Housing	PPE, black
Connection	Female threaded T-fitting (besides FLUS09AW)
Body and lever material	Brass
Paddles material	Brass
Sealing	NBR
Dimensions	See drawing
Protection type	IP65
Protection class	I
Max. fluid temperature	-25 ...+100°C
Working temperature	-25 ...+70°C

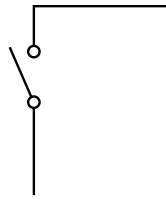


Installation Horizontal or vertical, far from elbows or narrowing, with the arrow in the direction of flow. If the device is mounted downwards protect it from scale or impurities and apply it in a straight line away from the filters, valves, etc with a distance of at least 5 times the diameter of the pipe upstream and downstream of the unit.

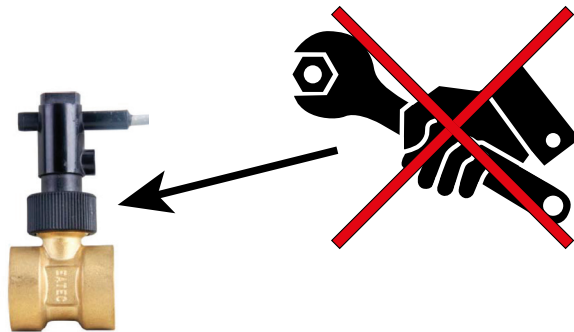
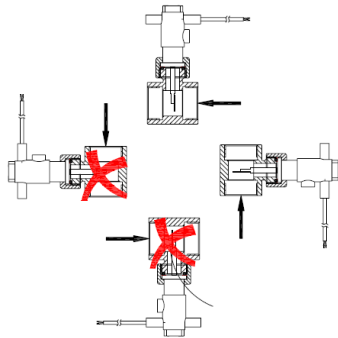
Standards CE conformity, RoHS

Models	Connection	Cable m	Setting m ³ /h	Flow rate m ³ /h H ₂ O		Max. recommended flow rate m ³ /h H ₂ O
				Increasing flow ON	Decreasing flow OFF	
FLUS006AW	G 1	2	0,4	-	-	7,8
FLUS007AW	G 1	1	0,95	0,78 - 0,99	0,74 - 0,95	7,8
FLUS011AW	G 1 1/4	4	1,92	-	-	10,8
FLUS010AW	G 1 1/2	1,5	1,6	1,62 - 2,01	1,53 - 1,95	18
FLUS009AW	-	4	2,76	2,49 - 3,21	2,44 - 3,17	21

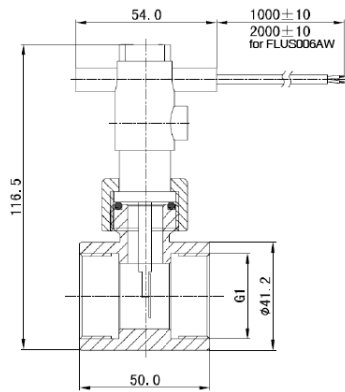
Electrical wirings



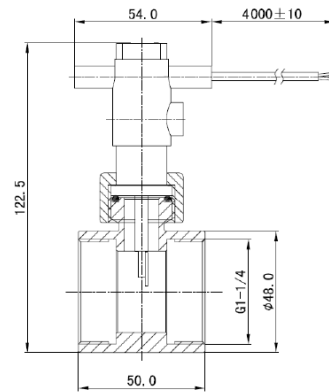
Installation



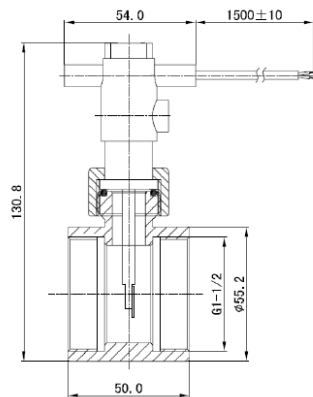
Dimensions (mm)



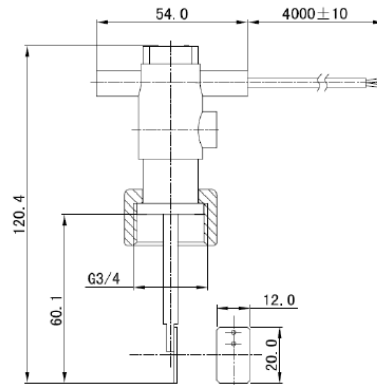
FLUS006AW / FLUS007AW



FLUS011AW



FLUS010AW



FLUS009AW